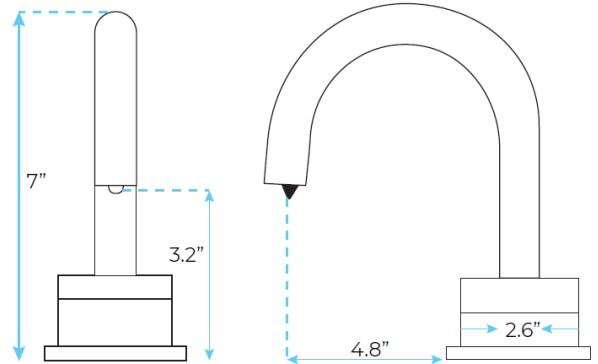


## LIMA ELECTRONIC 1" RISING VESSEL SINK SOAP DISPENSER CHROME FINISH SPECS



### SPECS:

Product Type: Commercial  
 Main Construction Material: Brass  
 Mount Type: Deck  
 Sensor type: Active Infrared, Self-Adjusting  
 Power Rating: 4 (D) Batteries / AC Adapter  
 Optional  
 Soap Pump: 6 Volt Noise-Free  
 Number of Tap Holes: 1  
 Valve/Cartridge Type: Solenoid Valve  
 Plumbing System Requirements: Suitable for all plumbing systems  
 Sensing Range: Adjustable with remote control  
 Activation Time: 0.5 - 1 secs  
 Soap Bottle Capacity: 800ML optional 1 gallon containers  
 Soap Amount Per Use: 0.5ML to 1.5ML (adjustable)

